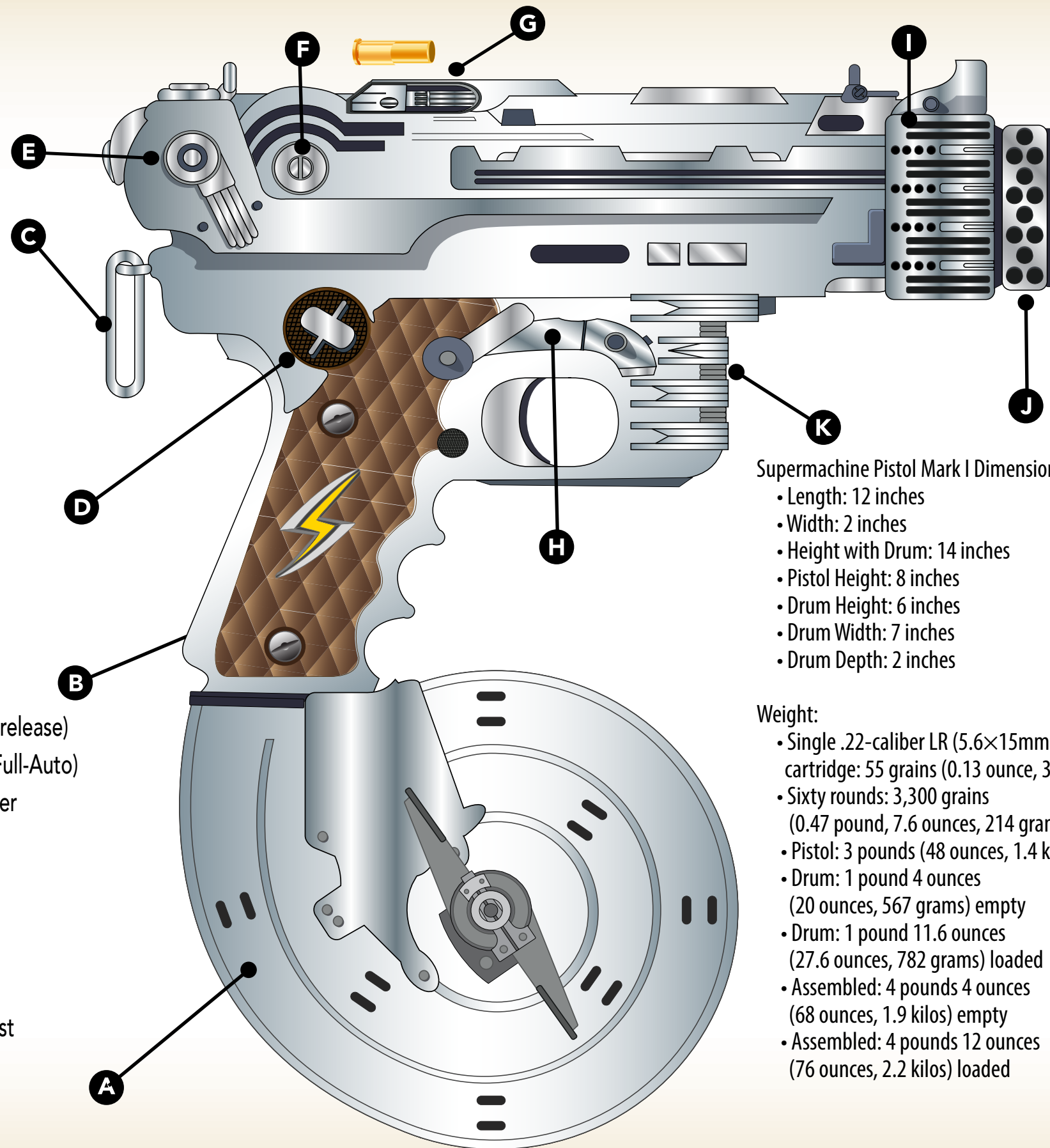


SUPER-MACHINE PISTOL MARK I



- A — Sixty-round "Ram's Horn" snail drum
- B — Grip safety (can't fire unless properly held)
- C — Lanyard clip (for sling-gun carry)
- D — Main safety (requires 180° turn CW, then CCW to release)
- E — Three-position selector switch (Safe, Semi-Auto, Full-Auto)
- F — Charging handle (requires left thumb and forefinger pressure to release)
- G — Reciprocating cartridge casing ejector port cover
- H — Ammunition drum release latch
- I — Classic "Cutt's Compensator" for recoilless fully automatic operation
- J — Combination muzzle break, flash hider, and exhaust gas heat dissipater/radiator
- K — Combination internal cooling system radiator and auxiliary recoil compensator

Supermachine Pistol Mark I Dimensions:

- Length: 12 inches
- Width: 2 inches
- Height with Drum: 14 inches
- Pistol Height: 8 inches
- Drum Height: 6 inches
- Drum Width: 7 inches
- Drum Depth: 2 inches

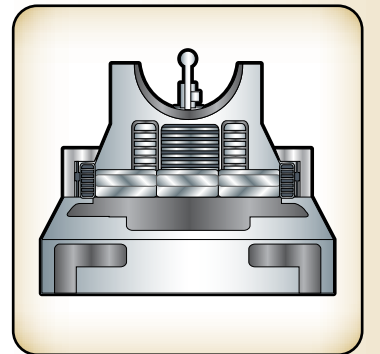
Weight:

- Single .22-caliber LR (5.6×15mmR) Hornet cartridge: 55 grains (0.13 ounce, 3.6 grams)
- Sixty rounds: 3,300 grains (0.47 pound, 7.6 ounces, 214 grams)
- Pistol: 3 pounds (48 ounces, 1.4 kilos) empty
- Drum: 1 pound 4 ounces (20 ounces, 567 grams) empty
- Drum: 1 pound 11.6 ounces (27.6 ounces, 782 grams) loaded
- Assembled: 4 pounds 4 ounces (68 ounces, 1.9 kilos) empty
- Assembled: 4 pounds 12 ounces (76 ounces, 2.2 kilos) loaded

*shown at 65% scale



Doc Savage Symbol
molded into grip



Adjustable Sighting
System



Dafydd Neal Dyar
dyarstraits.com



Illustration by David Pipgras
marspublish.com